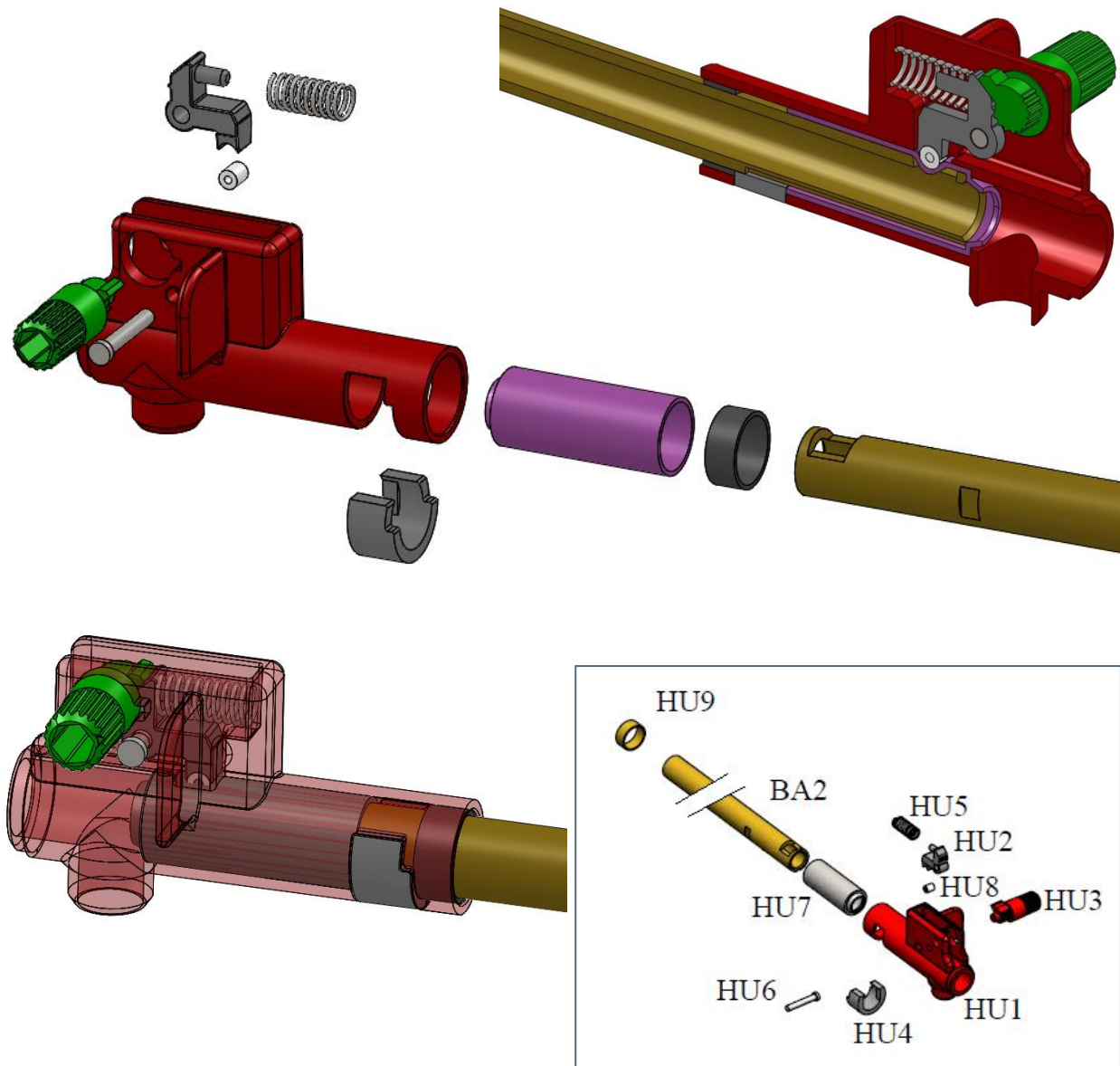


Assembly guide for EVO hopup

1. Follow these steps for correct assembly of the hop up (note direction of parts carefully according to picture):
 1. Slide the Hop-Up Rubber (HU7) and the inner barrel ring (HU9) on to the inner barrel (BA2).
 2. Then slide the barrel unit into the Hopup chamber (HU1).
 3. Make sure that the Inner barrel ring is not obstructing the notches on the inner barrel.
 4. Click in the C-clip (HU4) to fixate the barrel to the chamber
 5. Insert hopup knob (HU3) completely and turn it 90 degrees.
 6. Place the hopup roller (HU8) into the chamber just onto the hopup rubber.
 7. Mount the spring (HU5) onto the hopup lever (HU2) – use a clockwise screwing motion for easy attachment.
 8. Slide in the Hop up lever with spring. Fixate it with the hopup pin (HU6)
 9. Check that the hop up works as intended.



www.ActionSportGames.com