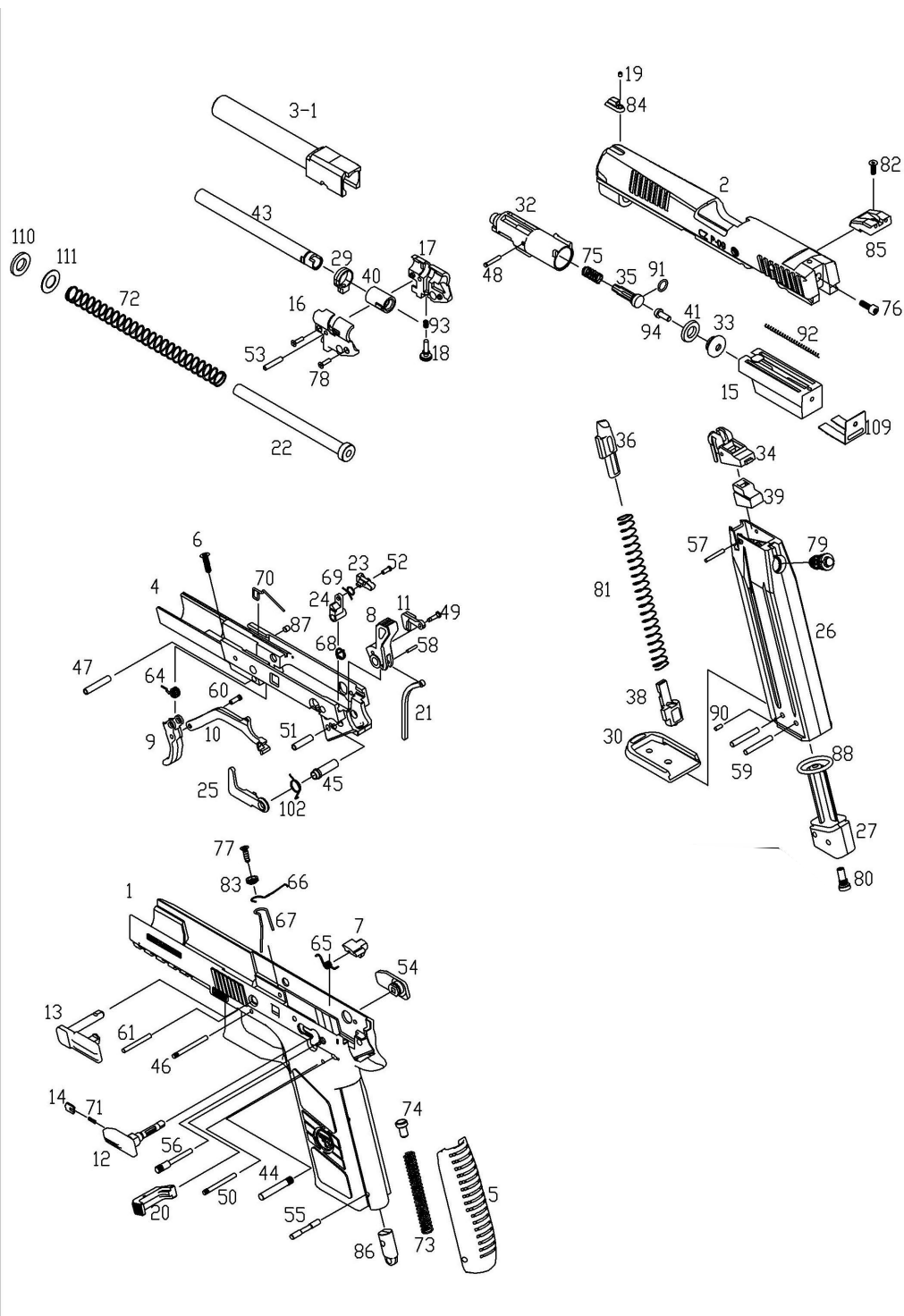


Airsoftpistol, GBB, CZ P-09, FDE full color

Ref. 18137



Airsoftpistol, GBB, CZ P-09, FDE full color

Ref. 18137



NO.	NAME	PRICE	NO.	NAME	PRICE
1	FRAME	1200	54	SAFETY RIGHT	200
2	SLIDE	1600	55	MAIN SP HOUSING PIN	40
3-1	OUT BARREL	600	56	SEAR PIN	40
4	INNER FRAME	600	57	MAG LIP PIN	20
5	BACK STRAP	300	58	MAIN SP STRUT PIN	20
6	INNER FRAME SCREW	20	59	MAG BOTTOM PIN	20
7	SEAR	80	60	TRIGGER BAR PIN	20
8	HAMMER	300	61	INNER FRAME PIN	20
9	TRIGGER	240	62	MAG STAB (CO2)	100
10	TRIGGER BAR	200	63	MAG BASE NUT (CO2)	100
11	DISCONNECTOR	100	64	TRIGGER SP	30
12	SAFETY LEFT	200	65	SEAR SP	30
13	SLIDE STOP	200	66	TRIGGER BAR SP	30
14	SAFETY DETENT PLUNGER	60	67	MAG CATCH SP	30
15	PISTON BLOCK	400	68	VALVE KNOCKER SP	30
16	BARREL CHAMBER (L)	160	69	VALVE LOCK SP	30
17	BARREL CHAMBER (R)	160	70	SLIDE STOP SP	30
18	TRAJECTORY ADJUST SCREW	120	71	SAFETY SP	30
19	FRONT SIGHT SCREW	20	72	RECOIL SP	60
20	MAGAZINE CATCH	160	73	MAIN SP	60
21	MAIN SP STRUT	60	74	MAIN SP CAP	40
22	RECOIL SP GUIDE	160	75	FLOATING VALVE	20
23	VALVE HAMMER	120	76	PISTON BLOCK SCREW	20
24	VALVE KNOCKER	240	77	MAG CATCH SP SCREW	20
25	VALVE LOCK PLATE	240	78	BARREL CHAMBER SCREW	20
26	MAG BODY (GAS)	450	79	EX VALVE	180
27	MAG BASE (GAS)	200	80	FILLING VALVE	80
28	MAG BODY (CO2)	450	81	FOLLOWER SP	60
29	TRAJECTORY ADJUST RING	160	82	REAR SIGHT SCREW	20
30	MAGAZINE BOTTOM	140	83	MAG CATCH SP WASHER	30
32	CYLINDER	180	84	FRONT SIGHT	120
33	PISTON	40	85	REAR SIGHT	150
34	MAG LIP	80	86	MAIN SP PLUG	60
35	FLOATING VALVE	30	87	SLIDE STOP SP SCREW	20
36	MAG FOLLOWER	40	88	MAG BOTTOM O-RING	30
38	MAG BOTTOM STOP (CO2)	30	89	CO2 EX VALVE	240
39	MAG GASKET	100	90	CO2 MAG BOTTOM STOP SCREW	20
40	RUBBER CHAMBER	100	91	FLOATING VALVE O-RING	20
41	PISTON RING	20	92	CYLINDER SP	30
43	INNER BARREL	240	93	TRAJECTORY ADJUST SCREW	20
44	HAMMER PIN	80	94	PISTON SCREW	10
45	HAMMER SLEEVE	60	102	VALVE LOCK SP	20
46	TRIGGER PIN	60	109	PISTON BLOCK PLATE	200
47	TRIGGER SLEEVE	60	110	RECOIL BUFFER	30
48	FLOATING VALVE PIN	30	111	RECOIL BUFFER WASHER	20
49	DISCONNECTOR PIN	30			
50	VALVE KNOCKER PIN	40			
51	VALVE KNOCKER SLEEVE	40			
52	VALVE HAMMER PIN	40			
53	BARREL LOCKING PIN	40			